

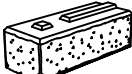
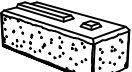

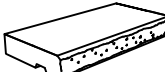




ROMAN PISA®

RETAINING WALL SYSTEM

REF: Detail_Roman Pisa_System Components

ROMAN PISA® System Units		Face Width	Back Width	Height	Depth	Weight
	Standard Unit	8"	8"	6"	12"	45 lbs
		200 mm	200 mm	150 mm	300 mm	21 kg
	Tapered Unit	8"	6 7/8"	6"	12"	43 lbs
		200 mm	174 mm	150 mm	300 mm	20 kg
	Left Corner Unit	20" (12")*	20" (12")*	6"	8"	78 lbs (46 lbs)*
		500 mm (300 mm)*	500 mm (300 mm)*	150 mm	200 mm	35 kg (21 kg)*
	Right Corner Unit	20" (12")*	20" (12")*	6"	8"	78 lbs (46 lbs)*
		500 mm (300 mm)*	500 mm (300 mm)*	150 mm	200 mm	35 kg (21 kg)*
	Revers-A-Cap Coping	8"	7"	3"	14"	22 lbs
		206 mm	175 mm	75 mm	356 mm	10 kg
	PISA STONE Coping	24"	24"	3"	12"	68 lbs
		600 mm	600 mm	75 mm	300 mm	31 kg
	PISA Lite™	8"	7"	6"	12"	3 lbs
		200 mm	178 mm	150 mm	300 mm	1 kg
	PISA Sounds™	8"	7"	6"	12"	5 lbs
		200 mm	178 mm	150 mm	300 mm	2 kg

* -indicates dimensions of alternate units available in some locations

ROMAN PISA® System Design/Construction Information		
Minimum Inside/Outside Radius (tapered units)	Standard Units	8.0' 2.44 m
	Tapered Units	8.0' 2.44 m
Maximum Gravity Height**	3.0'	
	915 mm	
Maximum Geogrid Height	+25'	
	+7.5 m	
Application of Handrail	Concrete Sonotube, Depth Min. 1.2m (4.0') offset Min. 300mm (1')	
Application of Wood Fence	Concrete Sonotube (depth as required by design) Offset Min. 300mm (12")	
Application of Coping Unit	Use Adhesive	
Stacking Alignment	Battered/Vertical***	
Facing	Split Face	
Placement Method	Hand	

** -Typical Values, site conditions govern and may result in different values
 *** -Vertical alignment available in selected markets only



Engineering design by RisiStone Inc.



UNILOCK.COM | 1-800-UNILOCK